



A quality conscious organization

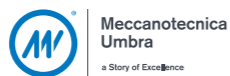


Headquarters
Huhnsel AB

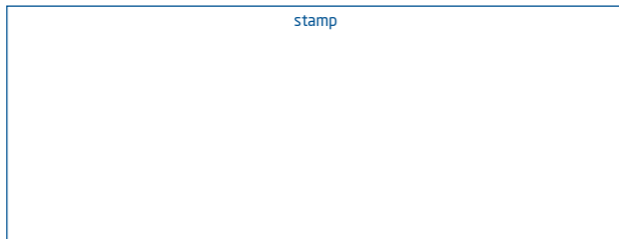
Visiting address:
Järvgatan 1 - 261 44 Landskrona - Sweden
Delivery address:
Box 288 - 261 23 Landskrona - Sweden
Tel: +46 418 44 99 40 - Fax: +46 418 44 99 69
sales@huhnsel.com

www.huhnsel.com

a member of



join us:



ITALY
Huhnsel / Meccanotecnica Umbra S.p.A.
Via G. Agnelli, 7
06042 Campello sul Clitunno (PG) ITALY
Phone: +39 331 6870228
Fax: +39 0743 279.242
sales.italy@huhnsel.com

CHINA
Huhnsel / Meccanotecnica Umbra (Qing dao)
North of No 8 road jiao zhou wan
industrial park, jiao zhou ,Qing dao, PRC
Phone: +86 138 64289 712
Fax: +86 531 86057 318
sales.china@huhnsel.com

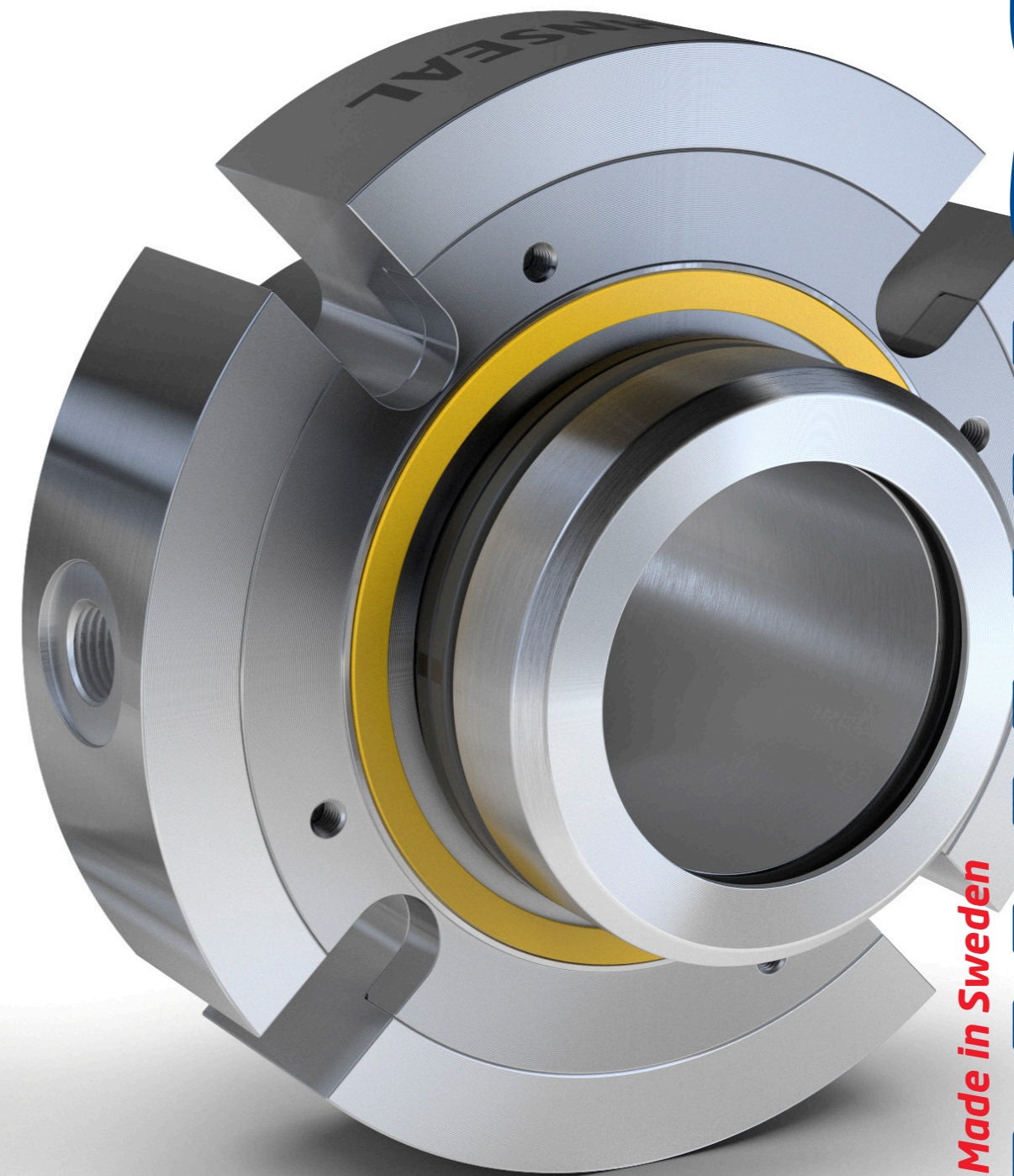
BRAZIL
Huhnsel / Mecanotécnica do Brasil Ltda
R. João Maria Goes, 399
83060-206 São José dos Pinhais - PR - Brasil
Phone: +55 41 9943 5559
Fax: +55 41 3381 2621
sales.brazil@huhnsel.com

INDIA
Huhnsel / Meccanotecnica India Pvt.Ltd.
351, Sr. No. 28/3/1, Ambegaon Kh.,
Near Jambulwadi Lake, Pune 411 046
Phone: +91 020 67919600
sales.india@huhnsel.com

USA
Huhnsel / Meccanotecnica USA Inc.
41650 Gardenbrook Rd.
Suite 110 - Novi, MI 48375
Phone: +1 (248) 347-0606
Mobile: +1 (256) 731-0381
sales.usa@huhnsel.com

BC series

Heavy Duty cartridge mechanical seal



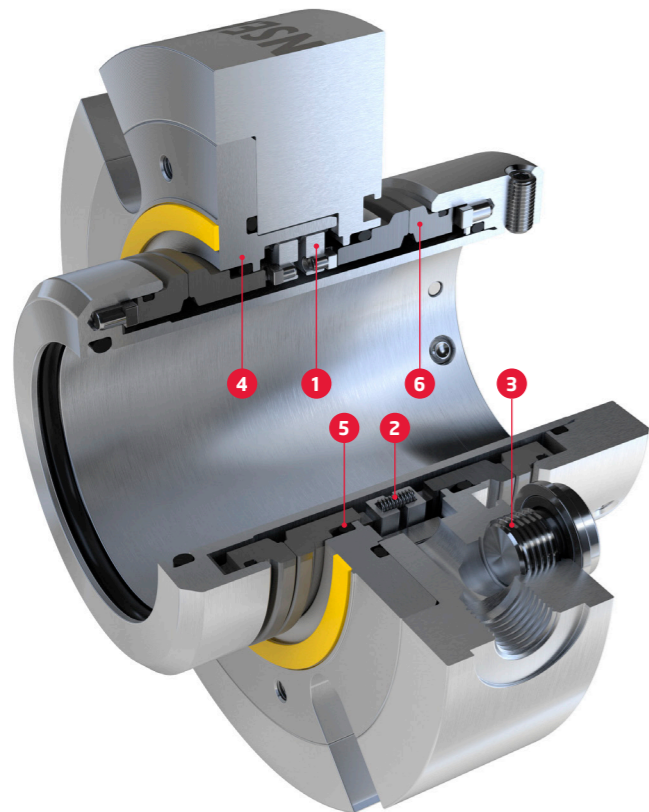
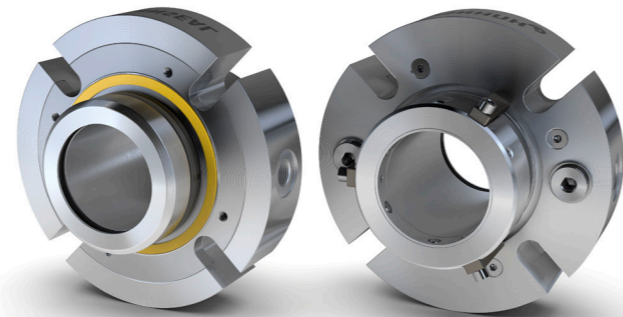
Made in Sweden

HUHNSSEL

- **Designed to fit most standard equipment**
- **Suitable for standardizing**
- **Robust and durable design**
- **Ability to handle pressure fluctuations**
- **Easy to install**

The Huhnseal BC-series is a new type of seal designed for various heavy duty applications where durability is key. This is a robust, reliable and cost effective seal suitable for standardization in larger process industries but also for customers with more limited amounts of equipment.

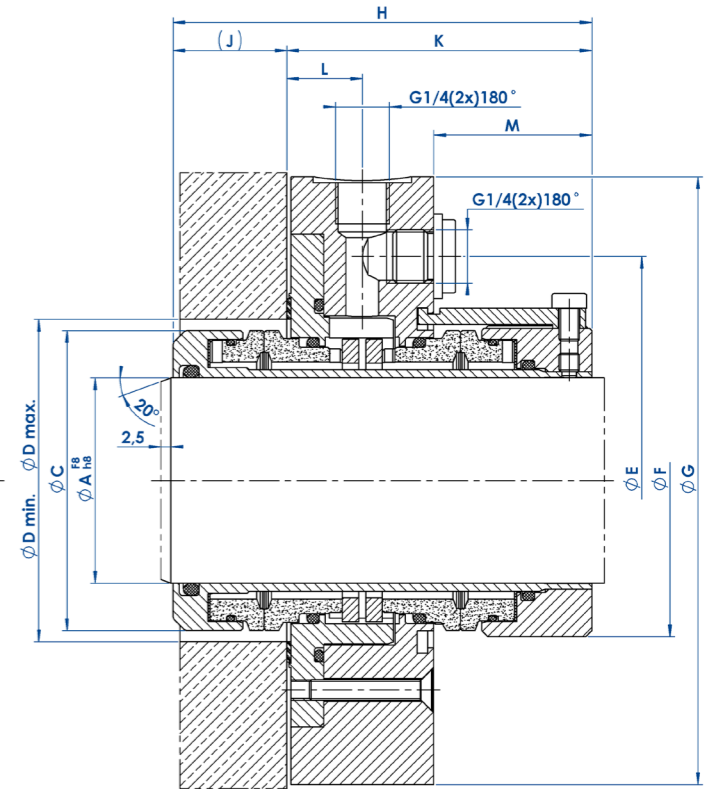
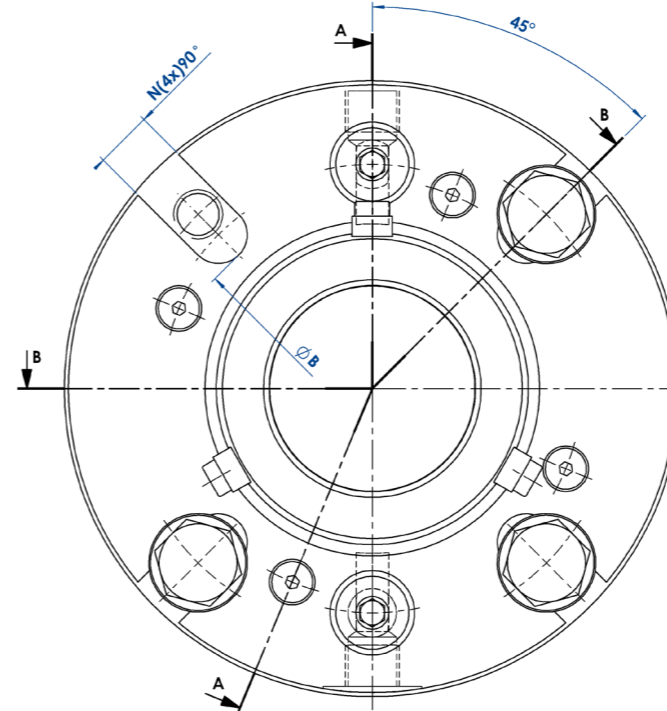
During the development of the BC-series the main focus has been on adaptability to different pressure and speed conditions, reliability and ease of installation. The BC is a double balanced seal that handles pressure drops on either product or barrier/buffer sides and effectively minimizes heat generation at the seal faces.



- 1 Excellent axial movement**
The seal can move $\pm 2,0$ mm independent of the compression of springs. The seal follows the movement of the shaft without influencing the compression of springs. This feature is essential when sealing equipment with flexible bearing units.
- 2 Spring package is kept clean by the flushing**
The springs are located in the area circulation and the exchange of barrier fluid is the greatest. This eliminates the risk for clogged-up springs, which is one of the most common causes for seal failure.
- 3 Adaptable flushing connectivity**
Four different ways to connect the flushing media to the flange. Axially, horizontally or a mix of both. This feature facilitates the installation of the seal in confined spaces and allows for obstructing equipment to be bypassed.
- 4 Innovative inverted flange/cover design**
The flange configuration with imboard cover. This reduces the cost of the seal by lowering the amount of expensive material potentially in contact with abrasive or corrosive media.
- 5 Clever double balancing**
The seal is double balanced using a "floating" o-ring design. This enables the seal to handle sudden pressure variations. This also makes it possible to reduce heat generation.
- 6 Symetric design optimized for standardization**
The seal faces used on the product side can also be used on the atmospheric side. This allows for all internal parts to be used on both sides for high standardization purposes.

The Huhnseal BC seal is a double balanced heavy duty cartridge seal that will maintain sealing performance even during sudden pressure drops on the product or the buffer/barrier side. The design of the seal is robust and rigid but at the time flexible with excellent axial displacement capability and flushing options. The springs are aligned with the barrier fluid channels to allow cleaning and prevent clogging. Premium materials from top suppliers are used to optimize performance.

$P_{max} = 40$ barg
 $T_{max} = 200^{\circ}C$
 $V_{max} = 35$ m/s
Axial movement: $\pm 2,0$ mm



A	B	C	D min.	D max.	E	F	G	H	J	K	L	M	N	Weight (kg)
50	92	73	75	82	109,2	76	148	102	27,7	74,3	18,4	38,5	14	4,2
55	97	78	80	87	114,2	81	153	102	27,7	74,3	18,4	38,5	14	4,5
60	102	83	85	92	119,2	86	158	102	27,7	74,3	18,4	38,5	14	4,7
65	107	88	90	97	124,2	91	163	102	27,7	74,3	18,4	38,5	14	4,9
70	112	93	95	102	129,2	96	168	102	27,7	74,3	18,4	38,5	14	5,2
75	117	99,2	100	107	134,2	102,2	173	108	28,9	79,1	19,2	41,7	18	5,7
80	122	104,2	105	112	139,2	107,2	178	108	28,9	79,1	19,2	41,7	18	5,9
85	127	109,2	110	117	144,2	112,2	183	108	28,9	79,1	19,2	41,7	18	6,2
90	132	114,2	115	122	149,2	117,2	188	108	28,9	79,1	19,2	41,7	18	6,5
95	137	119,2	120	127	154,2	122,2	193	108	28,9	79,1	19,2	41,7	18	6,7
100	142	124,2	125	132	159,2	127,2	198	108	28,9	79,1	19,2	41,7	18	7
105	147	129,2	130	137	164,2	132,2	203	108	28,9	79,1	19,2	41,7	18	7,3
110	152	134,2	135	142	169,2	137,2	208	108	28,9	79,1	19,2	41,7	18	7,5
115	157	139,2	140	147	174,2	142,2	213	108	28,9	79,1	19,2	41,7	18	7,8
120	162	144,2	145	152	179,2	147,2	218	108	29,1	78,9	19,2	41,5	18	8

Features

- Cartridge seal for easy assembly
- Minimized built-in dimensions, fits in most standard stuffing box spaces
- Double balanced design for minimum heat generation
- Excellent pressure adaptability properties due to its double balancing
- Suitable for standardizing
- Premium materials
- Easy and time efficient to recondition on site when required
- Barrier fluid spring cleaning circulation system to minimize risk for clogging
- Sintered Silicon Carbide (resistant to pH-1-14) is standard
- Axial and/or horizontal barrier fluid connectivity for assembly in confined spaces

Applications

Clean fluids
Fluids with poor lubrication capabilities
Crystallizing fluids
Fluids reacting with air
Sedimentary fluids
High temperature fluids (> 100°)
Fluids hazardous to health and environment
Extra need of cooling/pressure balancing

Materials

	Standard	On request
Rotating face product side	SSIC1	TC2
Stationary face product side	SSIC1 - Carbon4	TC2
Rotating face atmospheric side	TC2	-
Stationary face atmospheric side	Carbon4	SSIC1
Elastomer	EPDM / FPM	FFPM3
Springs	EN 1.4401	-
Metal parts	EN 1.4436/1.4460	Titanium / EN 1.4462